

REDLION®

MB CONNECTLINE

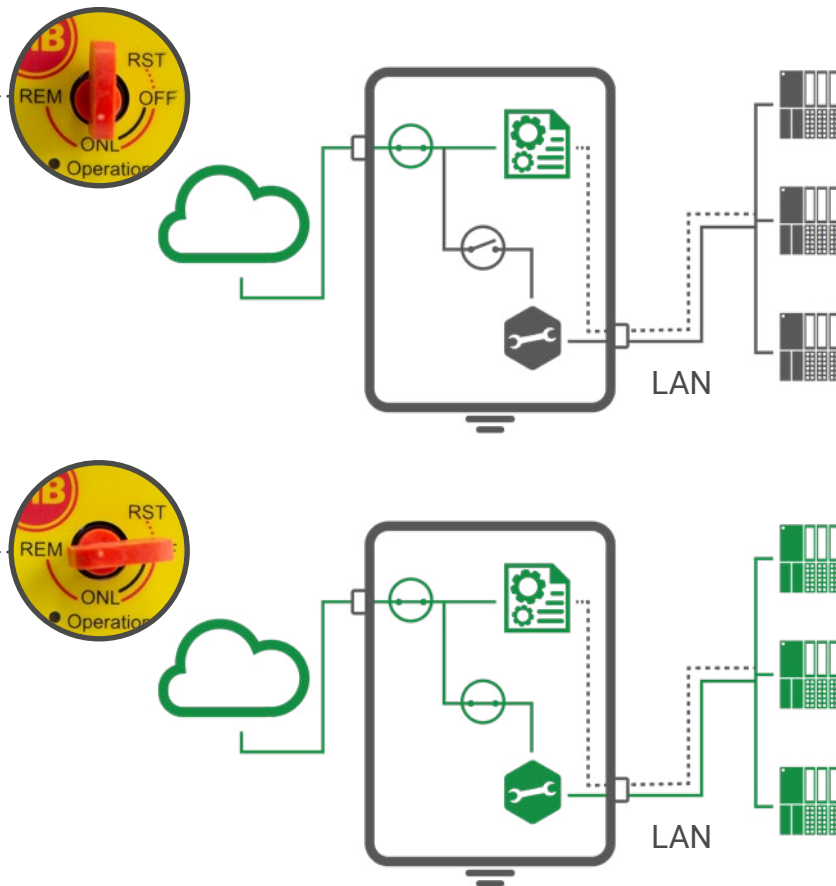


YOU ARE IN CONTROL

mbNET.rokey

2-LEVEL SECURITY IN REMOTE ACCESS

2-Level Security in Remote Access



Position "ONL":

In this position, the mbNET.rokey is securely connected to mbCONNECT24 and appears online (green dot) in the user interface. Data upload, alarms and dashboard interaction are allowed, as well as router administration (configuration changes, firmware updates, local diagnostics etc.). Access to devices on the LAN is disabled.

Position "REM":

In this position, access to LAN devices is enabled and both Web2Go and mbDIALUP connections can be established transparently with the remote devices. At any time, the local staff can interrupt the remote connection by turning the key back to "ONL" position.

In the "OFF" position, no connection is established with mbCONNECT24 and the mbNET.rokey appears offline (black dot) in the user interface. The "RST" position is used in a special procedure to reset the device and erase the remote access configuration. mbNET.rokey is delivered with two keys: the black key allows switching between positions "OFF" and "ONL", the red key allows switching to all positions. The rotary coding switch is for future use.

Giving local staff the possibility to allow or disallow remote access is a recommendation of cybersecurity agencies such as the German BSI, the French ANSSI or the European ENISA. By offering a 2-level access control mbNET.rokey complies with recommended practices for secure remote services.

Order Details

Product Versions

Type	Item No.	Modem	RS-232/ RS-485	MPI/ Profibus	Ethernet 100 Mbit	WAN	VPN*
RKH 216	1.216.200.06.00	-	-	-	4x	1x	✓
RKH 235	1.235.200.05.00	-	-	1x	4x	1x	✓
RKH 210	1.210.200.06.00	-	1x	-	4x	1x	✓
RKH 259	1.259.220.06.00	4G EU	-	-	4x	1x	✓
RKH 259	1.259.130.06.00	4G AT&T	-	-	4x	1x	✓

* IPSEC, PPTP, L2TP, OpenVPN